

3.2 Dimensions

Measurements in mm (in)

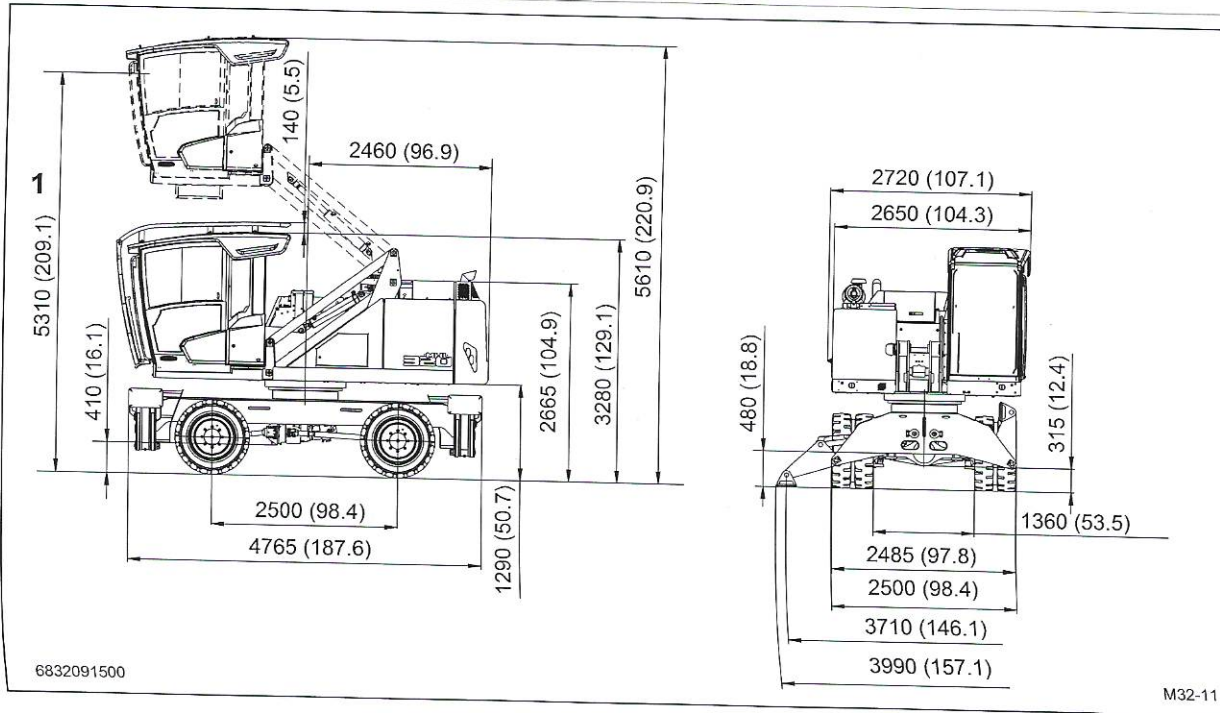


Figure 3.2 - Elevating cab with 4-point outrigger

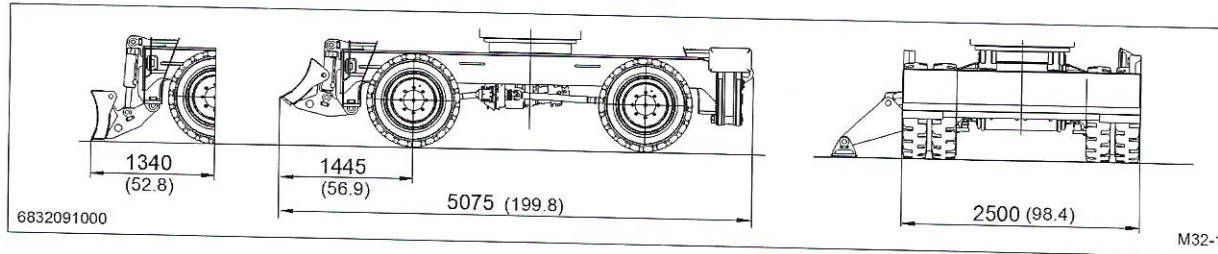


Figure 3.3 - 2-point outrigger with support blade

Transport position and dimensions

1 Average position of center of gravity in transport position

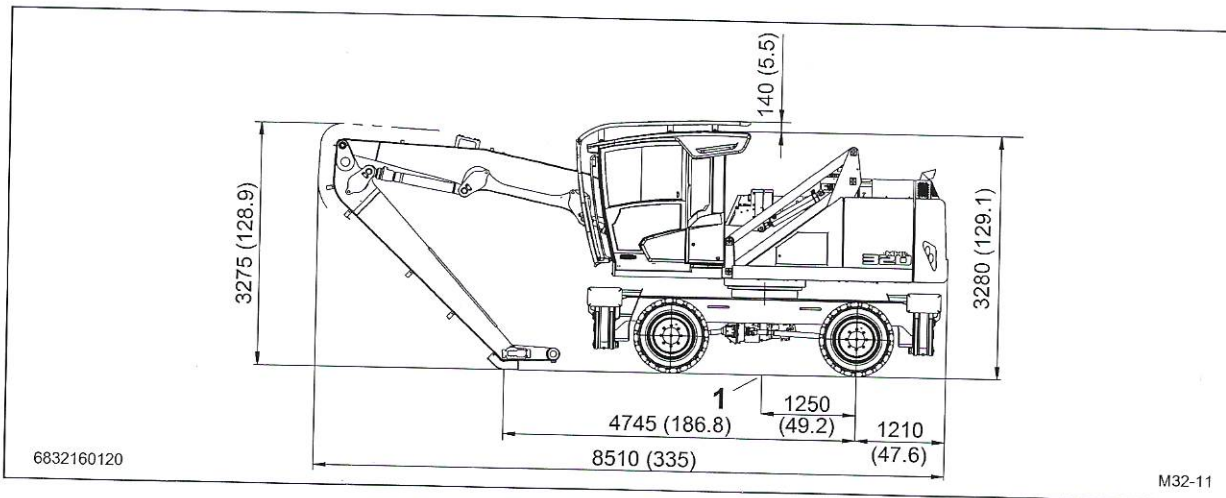


Figure 3.4 - Work equipment 9.5 m