

JAW CRUSHER B₄

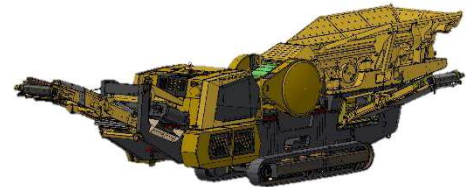
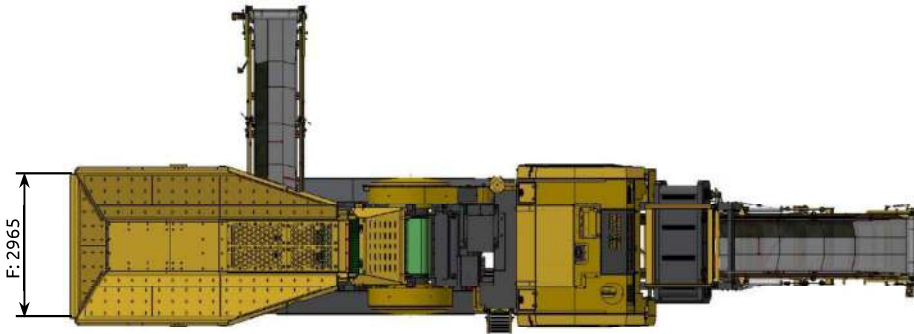
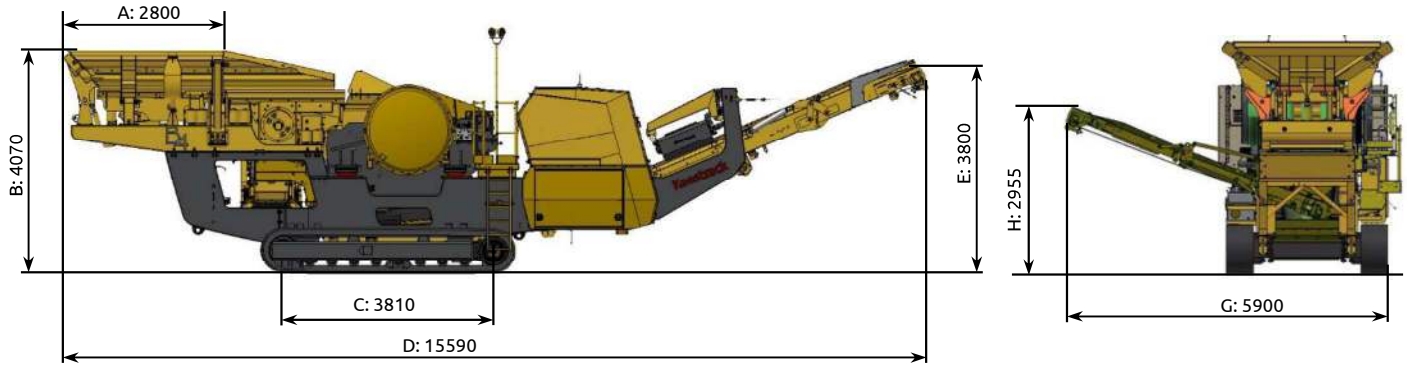


JAW CRUSHERS

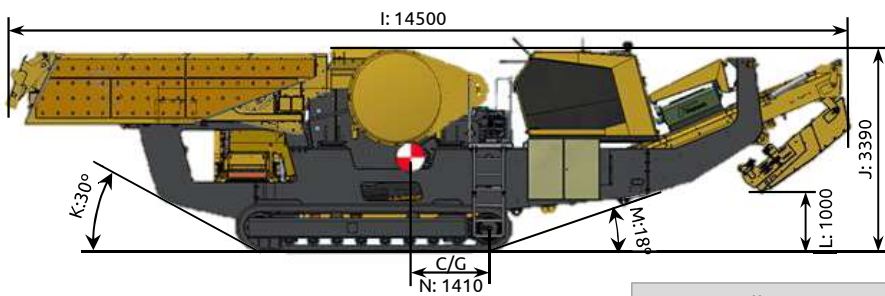


DIMENSIONS

OPERATION:



TRANSPORT:



REMARK: All pictures might show options, not included in the scope of supply

Weight: approx. 44 t (without options)

Weight options:
 Magnetic separator liftable 1.500 kg
 Conveyor pre-screening 1.120 kg

Transport width 2.700 mm (8'10")

A	B	C	D	E	F	G
2800	4070	3800	15590	3800	2965	5900
9'2"	13'4"	12'6"	51'3"	12'6"	9'9"	19'4"
H	I	J	K	L	M	N
2955	14500	3390	30°	1000	18°	1410
9'8"	47'7"	11'1"		3'4"		4'8"