

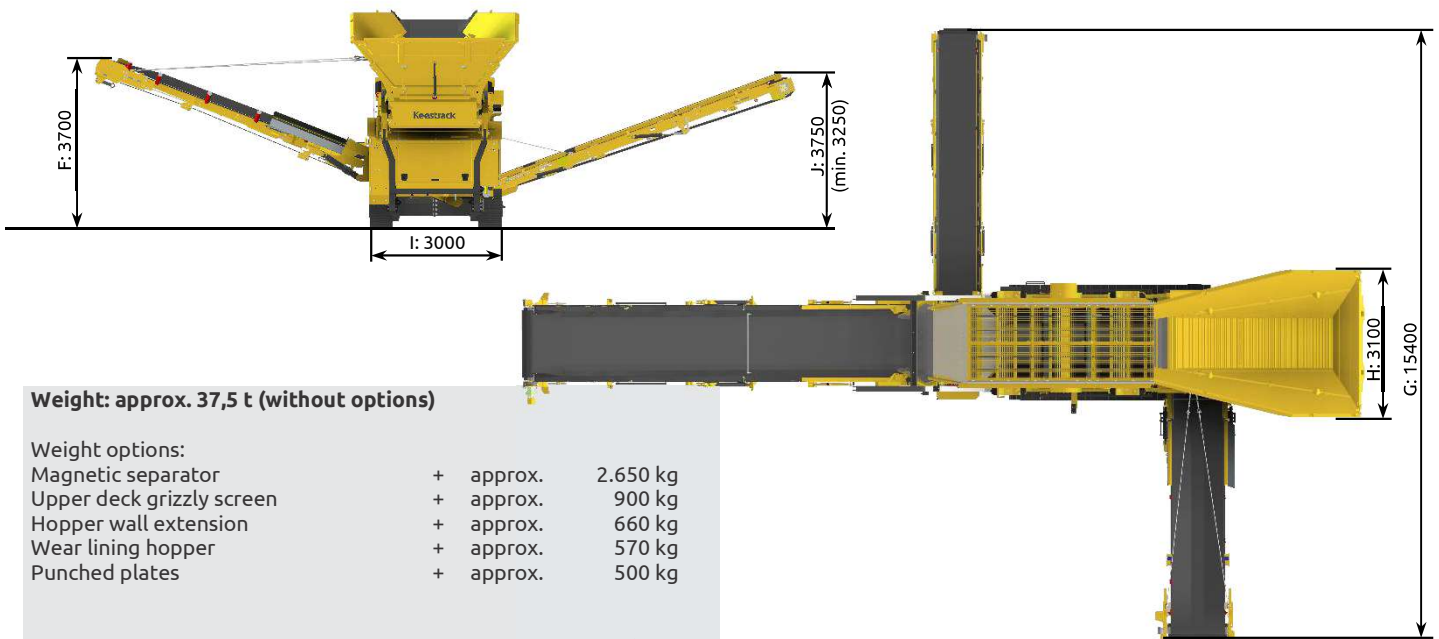
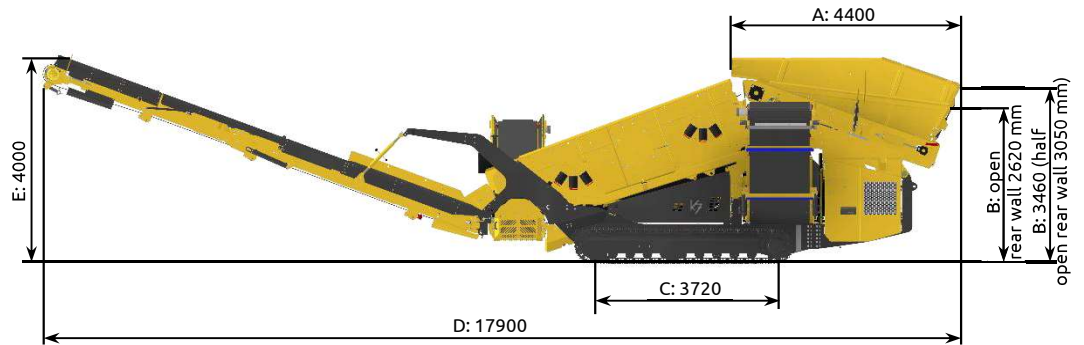
# SCALPER **k7e**

3-WAY-SPLIT



# DIMENSIONS

## OPERATION:



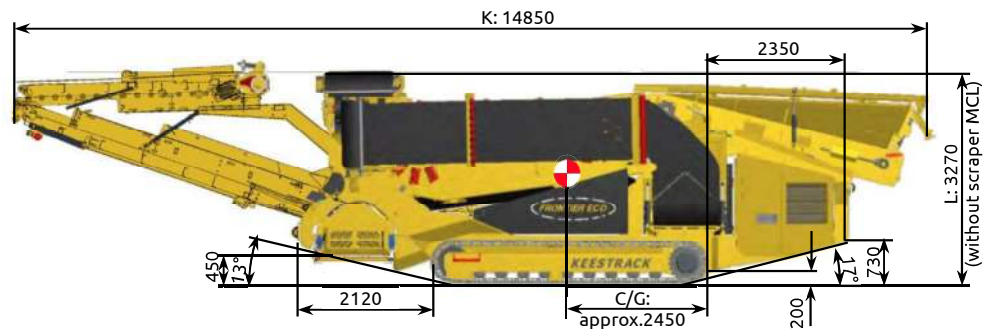
**Weight: approx. 37,5 t (without options)**

- Weight options:
- Magnetic separator + approx. 2.650 kg
- Upper deck grizzly screen + approx. 900 kg
- Hopper wall extension + approx. 660 kg
- Wear lining hopper + approx. 570 kg
- Punched plates + approx. 500 kg

**Transport width 3.000 mm (9'10")**

## TRANSPORT:

C/G = centre of gravity: Approx. 2450 mm acc. to options



**REMARK:** All pictures might show options, not included in the scope of supply

A	B	C	D	E	F	G	H	I	J	K	L
4400	3460	3720	17900	4000	3700	15400	3100	3000	3750	14850	3270
14'5"	11'4"	12'2"	58'9"	13'1"	12'2"	50'6"	10'2"	9'10"	12'3"	48'7"	10'9"