

PRODUCT
SPECIFICATION

 **TEREX**®

 **ECOTEC**

TWH 236

WASTE HANDLER



160 kW (Diesel, EU Stage V / US EPA Tier 4)
148 kW (Diesel, EU Stage IIIA / US Tier 3)
132 kW (Electric)



33.0 - 35.5 t



max. 16.0 m

www.terex.com/ecotec



Technical Data

Service weight without attachments

| | |
|----------------|-------------|
| TWH 236 | 33.0–35.5 t |
|----------------|-------------|

Diesel engine

| | EU Stage V / US Tier 4 | EU Stage IIIA / US Tier 3* |
|---------------------------|---|---|
| Manufacturer / model | Deutz TCD 6.1 L6 | Deutz TCD2013 L6 |
| Design | 6-cylinder in-line engine | 6-cylinder in-line engine |
| Functionality | 4-stroke engine, direct common-rail fuel injection, turbocharger with charge air intercooling, controlled exhaust gas recirculation, diesel particle filter with a continuously regenerating system and SCR catalytic converter | 4-stroke engine, direct common-rail fuel injection, turbocharger with charge air intercooling |
| Engine power | 160 kW | 148 kW |
| Rated speed | 2,000 rpm | 2,000 rpm |
| Displacement | 6.1 l | 6.1 l |
| Cooling system | Water / charge air cooling with temperature-controlled fan speed | Water / charge air cooling with temperature-controlled fan speed |
| Exhaust emission standard | EU Stage V / US Tier 4 | EU Stage IIIA / US Tier 3* |
| Fuel tank | 315 l diesel | 315 l diesel |
| DEF / Urea tank | 32 l Ad Blue | - |

Electric motor

| | |
|----------------------|--|
| Power | 132 kW |
| Total connected load | 170 kW |
| Motor start | Via soft start |
| Optional cable reel | Up to 50 metres (other lengths on request) |

Electrical system

| | |
|-------------------|---|
| Alternator | 28 V / 100 A |
| Operating voltage | 24 V |
| Battery | 2 × 12 V / 110 Ah / 760 A (as per EN) |
| Lighting system | 2 × LED floodlights at the front of the machine, rear parking lights and indicator lights |

Travel drive

Hydrostatic drive through infinitely variable axial piston motor with directly mounted travel brake valves, 2-gear transmission, all-wheel drive

| | |
|-----------------------|--------------|
| Travel speed 1st Gear | max. 5 km/h |
| Travel speed 2nd Gear | max. 17 km/h |
| Gradeability | max. 35 % |
| Turning radius | 9.2 m |

Slewing drive

| | |
|---------------------------|---|
| Slewing ring | Double slewing ring with inner teeth |
| Drive | 2-stage planetary gear with integrated multi-disk brake |
| Uppercarriage swing speed | 0–7 rpm infinitely variable |
| Slewing lock | Electrically operated |

Undercarriage

| | |
|------------|---|
| Front axle | Planetary drive axle with integrated drum brake, rigidly mounted |
| Rear axle | Planetary drive axles with integrated drum brake, with self-aligning bearing and switching oscillating lock |
| Outriggers | 4-point stabilisers |
| Tyres | Elastic, solid rubber 8 × 12.00-20 |

Brakes

| | |
|---------------|---|
| Service brake | Hydraulically operated single-service brake system acting on all four wheel pairs |
| Parking brake | Electronically-operated disc brake on the driving transmission acting on both axles |

Hydraulic system

| | |
|-------------------------|---------------|
| Max. flow rate | 2 × 330 l/min |
| Max. operating pressure | 320 / 360 bar |
| Hydraulic oil tank | 366 l |

Operator's cab

| | | |
|------------------|---|---|
| Cab | Infinitely variable hydraulic height-adjustable cabin with sliding door. Reinforced steel structure, soundproofed, heat insulated panoramic windows for best all-round visibility, front window with roller blind, glass panel in the cabin roof with sliding blind. Heating and air conditioning, separate heat exchangers, fresh and recirculated air filters. Multifunction touch display, bottle holder, paper clip and multiple storage and mounting options. Digital radio (DAB+, USB, Bluetooth and hands-free), USB charging station 5V. Vertically adjustable cabin: viewing height of 5.6 m | |
| Air conditioning | Automatic air-conditioning. Infinitely variable heating with 8-speed fan, 10 adjustable air nozzles, 3 defroster nozzles | |
| Operator's seat | Air-cushioned comfort seat with swinging armrests / joysticks, safety belt, lumbar support and headrest. Enables fatigue-free work due to universal adjustment options for the seat position, seat inclination and the arrangement of the seat cushion in relation to the armrests and joysticks | |
| Monitoring | Ergonomically arranged, glare-free multifunction display. Automatic monitoring and storage of deviating operating states (e.g. all hydraulic oil filters, hydraulic oil temperature, coolant and charge air temperature, diesel particulate filter loading, steering), visual and audible warning. Diagnostic option for the individual sensors via the multifunction display. Rear view and side view camera on the right with separate monitor | |
| Noise level | EU Stage V / US Tier 4 | EU Stage IIIA / US Tier 3* |
| | Sound power level (outdoor area) L_{WA} 98.8 dB(A) (measured) as per directive 2000/14/EC L_{WA} 101 dB(A) (guaranteed) as per directive 2000/14/EC Sound power level (inside the cab) as per the directive ISO 6396 L_{pA} 67 dB(A) | Sound power level (outdoor area) L_{WA} 101.3 dB(A) (measured) as per directive 2000/14/EC L_{WA} 102 dB(A) (guaranteed) as per directive 2000/14/EC Sound power level (inside the cab) as per the directive ISO 6396 L_{pA} 67 dB(A) |
| Vibrations | Weighted r.m.s. value of acceleration of upper limbs under 2.5 m/s ² (98 in/s ²) Weighted effective value of acceleration for the seat and feet under 0.5 m/s ² (20 in/s ²) | |

Certification as per CE directives

Specification subject to change without notice.

* for low-regulated markets



| Engine | Standard | Option |
|---|----------|--------|
| Intercooler and coolant radiator | ● | |
| Direct electronic fuel injection / common rail | ● | |
| Advanced automatic idle incl. engine shut-off function | ● | |
| Engine preheating | | ● |
| Engine diagnostics interface | ● | |
| Temperature-dependent fan drive | ● | |
| Undercarriage | | |
| All-wheel drive | ● | |
| Drum brakes | ● | |
| Rear axle oscillating lock | ● | |
| 2-speed powershift transmission | | ● |
| 4-point stabilisers | ● | |
| Dozer blade in addition to 4-point stabilisers | | ● |
| Stabiliser cylinders with integrated two-way check valves | ● | |
| Piston rod protection on stabiliser cylinders | ● | |
| Tool box | ● | |
| Special paint (customer paint work) | | ● |
| Solid rubber tyres (12.00-20) with intermediate rings | ● | |
| Uppercarriage | | |
| Separate cooling system for engine and hydraulic oil cooler | ● | |
| Cooling system with temperature-dependent fan drive | ● | |
| Fan drive reversing function | | ● |
| Automatic central lubrication system | ● | |
| Rear view camera | ● | |
| Side view camera | ● | |
| Electric refuelling pump | | ● |
| Lighting protection | | ● |
| Special paint (customer paint work) | | ● |

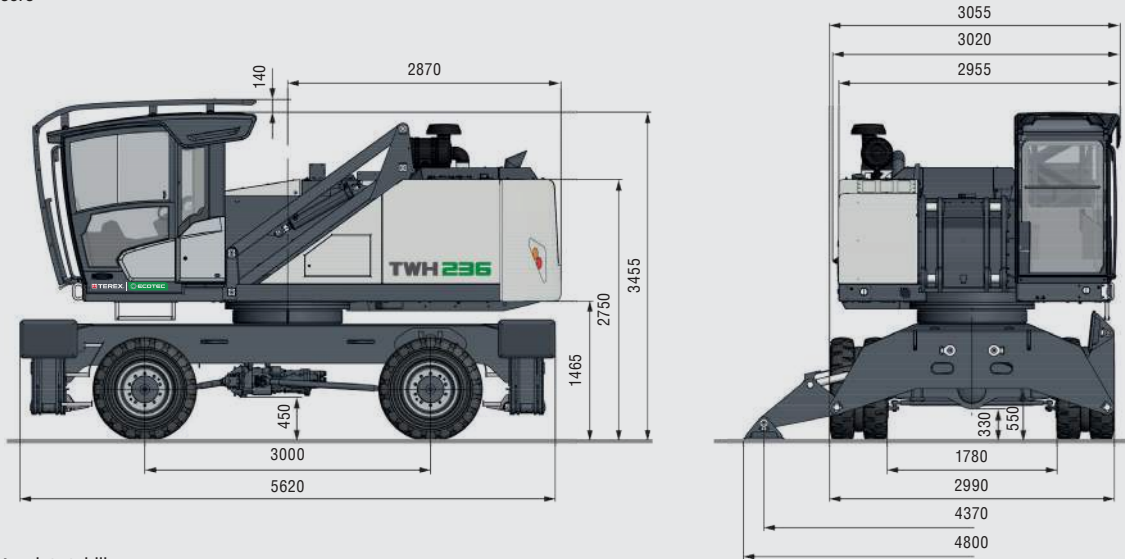
| Cab | Standard | Option |
|---|----------|--------|
| Vertically adjustable cabin (max. viewing height of 5.6 m) | ● | |
| Single-pane safety glass (ESG) | ● | |
| Sliding window in cab door | ● | |
| Cabin with penetration resistant glass front and top (classification P5A) | | ● |
| Windshield washer system | ● | |
| Roof washer system | | ● |
| Air-cushioned operator seat with headrest, seatbelt, and lumbar support | ● | |
| Seat heating | | ● |
| Joystick steering | ● | |
| Steering column, height and tilt adjustable | | ● |
| Automatic air conditioning system | ● | |
| Independent heating system | | ● |
| Multi-function display | ● | |
| Document clip | ● | |
| Roof guard grille (FOPS) | | ● |
| Cabin front and top guard | | ● |
| 12V transformer | | ● |
| Digital radio (DAB+, USB, Bluetooth and hands-free system) | | ● |
| 12V socket | ● | |
| Fire extinguisher, dry powder with holder | | ● |
| Travel alarm with rotating beacon | | ● |
| Other equipment | | |
| Close proximity range limiter for dipper stick | ● | |
| Coolant and hydraulic oil level monitoring system | ● | |
| Filter system for attachments | | ● |
| Hose rupture valve for boom cylinder | | ● |
| Hose rupture valve for stick cylinder | | ● |
| Overload warning device | | ● |
| Quick coupling on dipper stick | ● | |
| Dipper stick impact protection | | ● |
| Active cyclone prefilter (TOP AIR) | | ● |
| Hydraulic oil preheating | | ● |
| Lubrication of the grab suspension by central lubrication system | ● | |
| Light packages LED | | ● |
| LED front headlights | ● | |
| LED working lights cabin roof front | ● | |
| Boom cylinder damping system (piston accumulator) | | ● |
| Fuchs Connect telematics system , incl. 5 years contract | ● | |

Further optional equipment available on request!
Specification subject to change without notice.

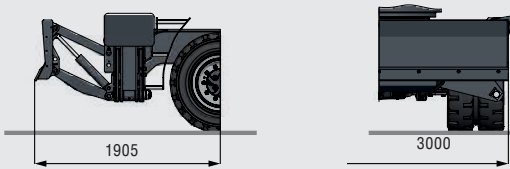
Dimensions

(all dimensions in mm)

Undercarriage equipped with
4-point stabilisers



Dozer blade
in addition to 4-point stabilisers



Transport Dimensions

(all dimensions in mm)



| | 14.7 m | 15 m | 16 m |
|---|----------|----------|----------|
| A | 12610 mm | 12730 mm | 12695 mm |
| B | 6380 mm | 6455 mm | 5960 mm |
| C | 3040 mm | 3125 mm | 3620 mm |

14.7 m reach with multi-purpose stick

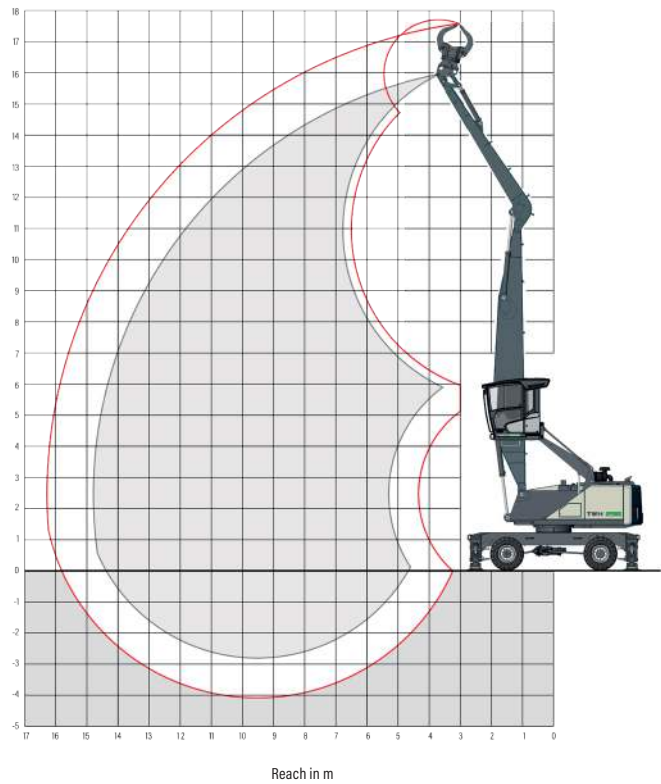
Loading equipment

Boom: 8.5 m

Dipper stick: 5.6 m

Sorting grapple: 0.45 m³

The lift capacity values are stated in metric tons (t). The pump pressure is 360 bar. In accordance with ISO 10567 the lift capacity values represents 75% of the static tipping loads or 87% of the hydraulic lifting force (marked *). On solid and level ground the values apply to a swing range of 360°. The (...) values apply in the longitudinal direction of the undercarriage. The values for "not supported" only apply via the steering axle or the locked oscillating axle. The weights of the attached load hoisting equipment (grab, load hook, etc.) must be deducted from the lift capacity values. The working load of the lifting device must be observed. In accordance with the EN 474-5 for object handling application hose rupture valves on the boom and stick cylinders, an overload warning device and the lift capacity table in the cab are required. For object handling application the machine has to be supported on a level ground.



| Height [m] | Undercarriage stabilisation | Reach [m] | | | | | | |
|------------|-----------------------------|--------------------------|---------------|-------------|-------------|-------------|-------------|-------------|
| | | 4.5 | 6 | 7.5 | 9 | 10.5 | 12 | 13.5 |
| 15 | not supported | | (4.6°) | | | | | |
| | 4-point supported | | 4.6° (4.6°) | | | | | |
| 13.5 | not supported | | | (5.4°) | | | | |
| | 4-point supported | | | 5.4° (5.4°) | | | | |
| 12 | not supported | | | (6.7°) | (5.1°) | (3.4°) | | |
| | 4-point supported | | | 6.7° (6.7°) | 5.5° (5.5°) | 3.4° (3.4°) | | |
| 10.5 | not supported | | | (7.1°) | (5.2°) | (3.9°) | (2.6°) | |
| | 4-point supported | | | 7.6° (7.6°) | 6.6° (6.6°) | 5.4° (5.4°) | 2.6° (2.6°) | |
| 9 | not supported | | | (7.0°) | (5.1°) | (3.9°) | (3.0°) | |
| | 4-point supported | | | 7.8° (7.8°) | 6.7° (6.7°) | 5.9° (5.9°) | 4.7° (4.7°) | |
| 7.5 | not supported | | (9.8°) | (6.8°) | (5.0°) | (3.8°) | (2.9°) | (2.3°) |
| | 4-point supported | | 9.9° (9.9°) | 8.1° (8.1°) | 6.9° (6.9°) | 5.9° (5.9°) | 4.9° (5.2°) | 3.0° (3.0°) |
| 6 | not supported | (13.7°) | (9.2°) | (6.4°) | (4.7°) | (3.6°) | (2.9°) | (2.3°) |
| | 4-point supported | 13.7° (13.7°) | 10.8° (10.8°) | 8.5° (8.5°) | 7.1° (7.1°) | 6.0° (6.1°) | 4.8° (5.3°) | 3.9° (4.4°) |
| 4.5 | not supported | (12.8°) | (8.3°) | (5.9°) | (4.4°) | (3.5°) | (2.8°) | (2.2°) |
| | 4-point supported | 17.1° (17.1°) | 11.8° (11.8°) | 9.0° (9.0°) | 7.4° (7.4°) | 5.8° (6.2°) | 4.7° (5.3°) | 3.9° (4.5°) |
| 3 | not supported | | (7.4°) | (5.4°) | (4.2°) | (3.3°) | (2.6°) | (2.2°) |
| | 4-point supported | | 12.5° (12.5°) | 9.3° (9.4°) | 7.1° (7.5°) | 5.6° (6.2°) | 4.6° (5.3°) | 3.8° (4.4°) |
| 1.5 | not supported | | (6.8°) | (5.0°) | (3.9°) | (3.1°) | (2.5°) | (2.1°) |
| | 4-point supported | | 7.6° (7.6°) | 8.9° (9.4°) | 6.8° (7.5°) | 5.4° (6.2°) | 4.5° (5.1°) | 3.7° (4.2°) |
| 0 | not supported | | (6.1°) | (4.8°) | (3.7°) | (3.0°) | (2.5°) | (2.1°) |
| | 4-point supported | | 6.1° (6.1°) | 8.6° (9.0°) | 6.6° (7.2°) | 5.3° (5.9°) | 4.4° (4.9°) | 3.7° (3.9°) |
| -1.5 | not supported | | (6.2°) | (4.7°) | (3.6°) | (2.9°) | (2.4°) | |
| | 4-point supported | | 6.2° (6.2°) | 8.1° (8.1°) | 6.5° (6.6°) | 5.2° (5.4°) | 4.3° (4.4°) | |
| | | Max. reach 14.7 m | | | | | | |
| 2.5 | not supported | | | | | | | (1.8°) |
| | 4-point supported | | | | | | | 2.6° (2.6°) |

Working Ranges and Load Capacities

15.0 m reach with dipper stick

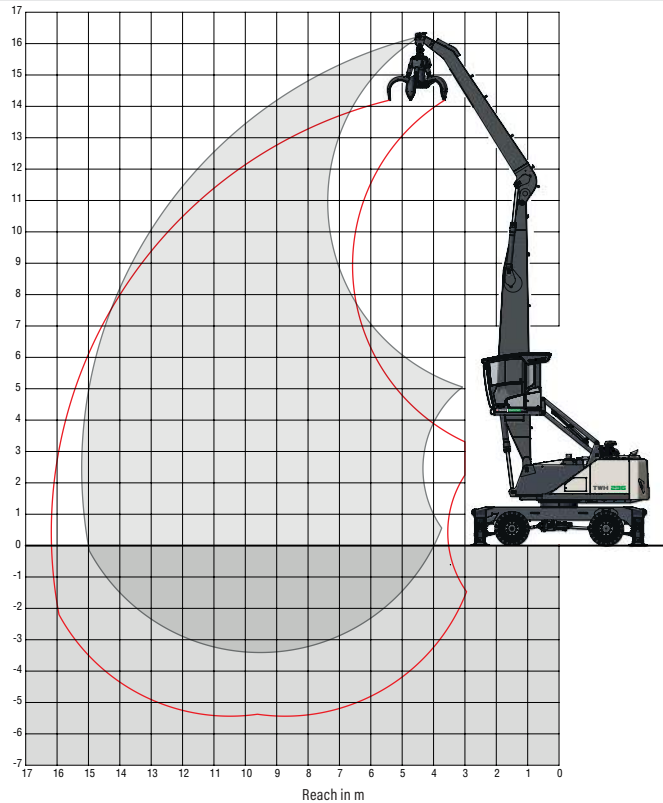
Loading equipment

Boom: 8.5 m

Dipper stick: 6.2 m

Cactus grab: 0.6 m³

The lift capacity values are stated in metric tons (t). The pump pressure is 360 bar. In accordance with ISO 10567 the lift capacity values represents 75% of the static tipping loads or 87% of the hydraulic lifting force (marked *). On solid and level ground the values apply to a swing range of 360°. The (...) values apply in the longitudinal direction of the undercarriage. The values for "not supported" only apply via the steering axle or the locked oscillating axle. The weights of the attached load hoisting equipment (grab, load hock, etc.) must be deducted from the lift capacity values. The working load of the lifting device must be observed. In accordance with the EN 474-5 for object handling application hose rupture valves on the boom and stick cylinders, an overload warning device and the lift capacity table in the cab are required. For object handling application the machine has to be supported on a level ground.



| Height [m] | Undercarriage stabilisation | Reach [m] | | | | | | | |
|--------------------------|-----------------------------|---------------|---------------|-------------|-------------|-------------|-------------|-------------|-------------|
| | | 4.5 | 6 | 7.5 | 9 | 10.5 | 12 | 13.5 | 15 |
| 15 | not supported | | (5.5°) | (3.7°) | | | | | |
| | 4-point supported | | 5.5° (5.5°) | 3.7° (3.7°) | | | | | |
| 13.5 | not supported | | | (5.7°) | (4.3°) | | | | |
| | 4-point supported | | | 5.7° (5.7°) | 4.3° (4.3°) | | | | |
| 12 | not supported | | | (6.5°) | (5.5°) | (4.1°) | | | |
| | 4-point supported | | | 6.5° (6.5°) | 5.7° (5.7°) | 4.3° (4.3°) | | | |
| 10.5 | not supported | | | (7.2°) | (5.5°) | (4.2°) | (3.2°) | | |
| | 4-point supported | | | 7.2° (7.2°) | 6.6° (6.6°) | 5.6° (5.6°) | 3.8° (3.8°) | | |
| 9 | not supported | | | (7.4°) | (5.4°) | (4.1°) | (3.2°) | (2.5°) | |
| | 4-point supported | | | 7.6° (7.6°) | 6.7° (6.7°) | 5.9° (5.9°) | 5.1° (5.1°) | 2.6° (2.6°) | |
| 7.5 | not supported | | | (7.1°) | (5.3°) | (4.0°) | (3.2°) | (2.5°) | |
| | 4-point supported | | | 8.0° (8.0°) | 6.9° (6.9°) | 6.0° (6.0°) | 5.1° (5.3°) | 4.1° (4.1°) | |
| 6 | not supported | | (9.7°) | (6.7°) | (5.0°) | (3.9°) | (3.1°) | (2.5°) | |
| | 4-point supported | | 10.5° (10.5°) | 8.5° (8.5°) | 7.1° (7.1°) | 6.2° (6.2°) | 5.0° (5.4°) | 4.1° (4.8°) | |
| 4.5 | not supported | (13.9°) | (8.8°) | (6.3°) | (4.7°) | (3.7°) | (3.0°) | (2.4°) | (2.0°) |
| | 4-point supported | 16.3° (16.3°) | 11.6° (11.6°) | 9.0° (9.0°) | 7.4° (7.4°) | 6.1° (6.3°) | 5.0° (5.5°) | 4.1° (4.8°) | 2.9° (2.9°) |
| 3 | not supported | (6.4°) | (7.9°) | (5.8°) | (4.4°) | (3.5°) | (2.8°) | (2.3°) | (1.9°) |
| | 4-point supported | 6.4° (6.4°) | 12.5° (12.5°) | 9.5° (9.5°) | 7.4° (7.7°) | 5.8° (6.4°) | 4.8° (5.5°) | 4.0° (4.7°) | 3.4° (3.4°) |
| 1.5 | not supported | | (7.1°) | (5.3°) | (4.1°) | (3.3°) | (2.7°) | (2.3°) | (1.9°) |
| | 4-point supported | | 10.3° (10.3°) | 9.2° (9.7°) | 7.1° (7.8°) | 5.6° (6.4°) | 4.7° (5.4°) | 3.9° (4.6°) | 3.3° (3.3°) |
| 0 | not supported | | (6.7°) | (5.0°) | (3.9°) | (3.2°) | (2.6°) | (2.2°) | (1.9°) |
| | 4-point supported | | 7.0° (7.0°) | 8.9° (9.5°) | 6.8° (7.6°) | 5.5° (6.3°) | 4.5° (5.2°) | 3.9° (4.3°) | 3.0° (3.0°) |
| -1.5 | not supported | | (6.5°) | (4.9°) | (3.8°) | (3.1°) | (2.6°) | (2.2°) | |
| | 4-point supported | | 6.5° (6.5°) | 8.7° (8.7°) | 6.7° (7.1°) | 5.4° (5.9°) | 4.5° (4.8°) | 3.8° (3.8°) | |
| -3 | not supported | | | (4.8°) | (3.8°) | (3.1°) | | | |
| | 4-point supported | | | 7.6° (7.6°) | 6.3° (6.3°) | 5.2° (5.2°) | | | |
| Max. reach 15.2 m | | | | | | | | | |
| 2.5 | not supported | | | | | | | | (1.9°) |
| | 4-point supported | | | | | | | | 2.4° (2.4°) |

16.0 m reach with dipper stick

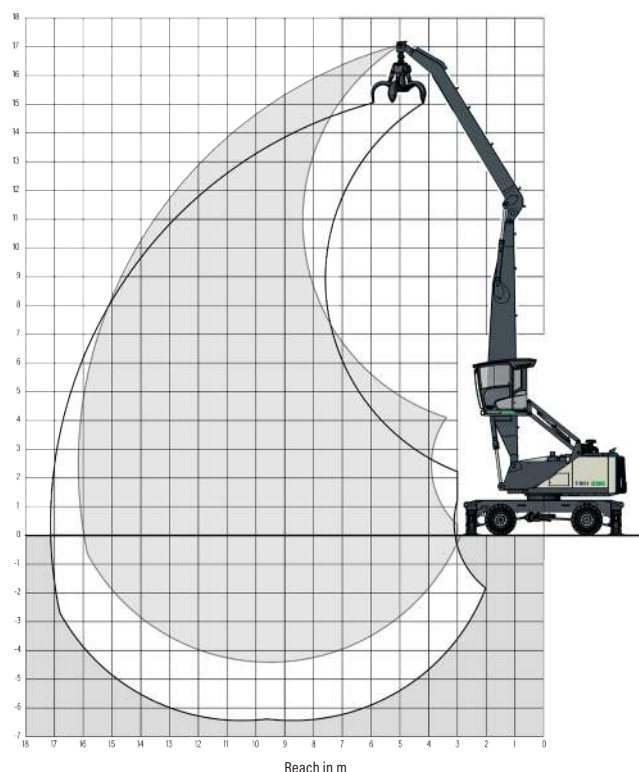
Loading equipment

Boom: 8.5 m

Dipper stick: 7.2 m

Cactus grab: 0.6 m³

The lift capacity values are stated in metric tons (t). The pump pressure is 360 bar. In accordance with ISO 10567 the lift capacity values represents 75% of the static tipping loads or 87% of the hydraulic lifting force (marked *). On solid and level ground the values apply to a swing range of 360°. The (...) values apply in the longitudinal direction of the undercarriage. The values for "not supported" only apply via the steering axle or the locked oscillating axle. The weights of the attached load hoisting equipment (grab, load hock, etc.) must be deducted from the lift capacity values. The working load of the lifting device must be observed. In accordance with the EN 474-5 for object handling application hose rupture valves on the boom and stick cylinders, an overload warning device and the lift capacity table in the cab are required. For object handling application the machine has to be supported on a level ground.



| Height [m] | Undercarriage stabilisation | Reach [m] | | | | | | | | |
|--------------------------|------------------------------------|--------------------------|-------------------------|-----------------------|-----------------------|-----------------------|-----------------------|-----------------------|-----------------------|--|
| | | 4.5 | 6 | 7.5 | 9 | 10.5 | 12 | 13.5 | 15 | |
| 16.5 | | | (4.2°) 4.2° (4.2°) | | | | | | | |
| 15 | not supported 4-point supported | | | (4.6°) 4.6° (4.6°) | (3.3°) 3.3° (3.3°) | | | | | |
| 13.5 | not supported 4-point supported | | | | (4.7°) 4.7° (4.7°) | (3.5°) 3.5° (3.5°) | | | | |
| 12 | not supported 4-point supported | | | | (5.4°) 5.4° (5.4°) | (4.3°) 4.6° (4.6°) | (3.2°) 3.2° (3.2°) | | | |
| 10.5 | not supported 4-point supported | | | | (5.7°) 5.9° (5.9°) | (4.3°) 5.3° (5.3°) | (3.4°) 4.3° (4.3°) | (2.6°) 2.6° (2.6°) | | |
| 9 | not supported 4-point supported | | | | (5.6°) 6.2° (6.2°) | (4.3°) 5.6° (5.6°) | (3.3°) 5.1° (5.1°) | (2.6°) 3.7° (3.7°) | | |
| 7.5 | not supported 4-point supported | | | (7.2°) 7.2° (7.2°) | (5.5°) 6.4° (6.4°) | (4.2°) 5.7° (5.7°) | (3.3°) 5.1° (5.1°) | (2.6°) 4.3° (4.5°) | (2.1°) 2.8° (2.8°) | |
| 6 | not supported 4-point supported | | | (7.1°) 7.8° (7.8°) | (5.2°) 6.7° (6.7°) | (4.0°) 5.9° (5.9°) | (3.2°) 5.1° (5.2°) | (2.5°) 4.2° (4.6°) | (2.0°) 3.5° (3.7°) | |
| 4.5 | not supported 4-point supported | (10.1°) 10.1° (10.1°) | (9.4°) 10.6° (10.6°) | (6.6°) 8.4° (8.4°) | (4.9°) 7.1° (7.1°) | (3.8°) 6.1° (6.1°) | (3.0°) 5.0° (5.3°) | (2.4°) 4.1° (4.7°) | (2.0°) 3.4° (4.1°) | |
| 3 | not supported 4-point supported | (13.0°) 16.9° (16.9°) | (8.4°) 11.7° (11.7°) | (6.0°) 9.0° (9.0°) | (4.6°) 7.4° (7.4°) | (3.6°) 5.9° (6.2°) | (2.9°) 4.8° (5.4°) | (2.4°) 4.0° (4.7°) | (1.9°) 3.4° (4.0°) | |
| 1.5 | not supported 4-point supported | (5.3°) 5.3° (5.3°) | (7.5°) 12.5° (12.5°) | (5.5°) 9.4° (9.4°) | (4.2°) 7.2° (7.6°) | (3.4°) 5.7° (6.3°) | (2.7°) 4.7° (5.4°) | (2.3°) 3.9° (4.6°) | (1.9°) 3.3° (3.9°) | |
| 0 | not supported 4-point supported | (3.8°) 3.8° (3.8°) | (6.9°) 9.2° (9.2°) | (5.1°) 8.9° (9.5°) | (4.0°) 6.9° (7.6°) | (3.2°) 5.5° (6.3°) | (2.6°) 4.5° (5.3°) | (2.2°) 3.8° (4.5°) | (1.8°) 3.3° (3.7°) | |
| -1.5 | not supported 4-point supported | (3.9°) 3.9° (3.9°) | (6.5°) 7.1° (7.1°) | (4.8°) 8.7° (9.1°) | (3.8°) 6.7° (7.3°) | (3.1°) 5.4° (6.0°) | (2.5°) 4.4° (5.0°) | (2.1°) 3.8° (4.1°) | (1.8°) 3.2° (3.2°) | |
| -3 | not supported 4-point supported | | (6.4°) 6.8° (6.8°) | (4.7°) 8.3° (8.3°) | (3.7°) 6.5° (6.7°) | (3.0°) 5.3° (5.5°) | (2.5°) 4.4° (4.5°) | (2.1°) 3.6° (3.6°) | | |
| Max. reach 16.6 m | | | | | | | | | | |
| 2.5 | not supported 4-point supported | | | | | | | | (1.7°) 1.9° (1.9°) | |



CAMPSIE

20 Keans Hill Road
Campsie Industrial Estate
BT47 3YT, Northern Ireland

Tel.: +44 (0) 28 7122 3110

DUNGANNON

32 Farlough Road
Dungannon, Co. Tyrone
BT71 4DT, Northern Ireland

Tel: +44 (0) 28 87 718 500

Dealer Stamp:

NEWTON

22 Whittier Street
Newton, New Hampshire
USA, 03858

Tel: +1 (603) 382 0556

July 2021. The material in this document is for information only and is subject to change without notice. Terex Ecotec assumes no liability resulting from errors or omissions in this document, or from the use of the information contained herein. Due to continual product development we reserve the right to change specifications without notice. Any product performance figures given in this brochure are for guidance purposes only. This information does not constitute an expressed or implied warranty or guarantee, but shows text examples provided. These results will vary depending on product settings, screen media and sizes, feed source and types of material being processed. Photographs are for illustrative purposes only. Some or all of the machines in the illustrations may be fitted with optional extra. Products and services listed may be trademarks, service marks or trade names of Terex Corporation and/or its subsidiaries in the USA and other countries. All rights reserved. Terex is a registered trademark of Terex Corporation in the USA and many other countries © 2021 Terex Corporation.